

# Francis AV 3.0 – Gynecological

High-performances, technology and functionality



## COUCH

### Frequent usage

Emergency

Physiotherapy

Infirmary

Ambulatory

Ultrasound diagnostic

Gynecology

Endoscopic examinations





#### 4 BUTTONS HANDSET - STANDARD FEATURE

Couch's movements are controlled by a handset with a 3,5mtr coiled cable;

For patient's safety purpose the handset is provided with an inhibition key, code AC34.

The handset is user friendly and has visual pictograms useful for partially sighted person. Insulation IP66.



REMOVAL STAINLESS STEEL TRAY

## Benefits

- Examination couch with adjustable height and low tension 4000N motors.
- High performances and long lifetime are ensured by its sturdy structure and by the robust frame.
- The frame is designed to avoid any tilt and it is safe also for over-size patients.
- The coating is made out of special leatherette. It is certified as antibacterial and antimycotic and it is easy to clean with common use detergents.
- It is possible to obtain the shock position by adjusting the backrest to promote venous return in case of hypotension or to obtain a functional posture for specific interventional needs.

## Standard features

- The lying surface is divided in 3 sections.
- The backrest can be adjusted from 0° to 70° with a gas spring.
- The femoral section can be adjusted from 0° to 80° with a gas spring.
- Reinforced frame, made out in steel painted with epoxy paint enriched with antibacterial. The colour is customizable upon request.
- Leg pads on DIN bar. - Equipment code AC110/1
- Removable stainless steel tray for the collection of organic waste. - Equipment code AC155
- Quick release of the backrest, it allows to perform the cpr manoeuvre - Equipment code AC8L.
- Upholstery: with anti-bacterial properties, flame retardant class 11M, antimycotic, ecologic, latex free, phtalate free. Resistant to: alcohol, sodium hypochlorite max 5%, a wide range of common used detrgent, liquid and other biological fluids. - Equipment code AC87/1.
- High density expanded foam mattress.
- Motorized height adjustment through electric columns.
- Motorized Trendelenburg and reverse Trendelenburg through telescopic columns with rectangular section - Equipment code AC152.
- 150 mm antistatic and swivable wheels. The directional braking system can be activated by bilateral pedals;
- 5<sup>a</sup> wheel diameter 100 mm - Equipment code AC118L.
- Centralized directional braking system made out in galvanized steel - Equipment code AC7L2G.
- Equipotential node.
- Handset with 4 buttons for the activation of the motors.
- Handset's inhibition key - Equipment code AC34L.



**Would you like to customize upholstery or frame?**

Scan or click the QR code and discover how to customize the device consulting our colour chart.



## Movements

### TRENDELENBURG



### REVERSE TRENDELENBURG



SCHOCK POSITION CAN BE ACHIEVED BY ADJUSTING THE BACKREST SECTION. IT HELPS VENOUS RETURN WHEN HYPOTENSION OCCURS. FURTHERMORE THE DEVICE CAN BE PROPERLY ADJUSTED TO ACHIEVE THE CORRECT PATIENT POSITIONING ACCORDINGLY TO MEDICAL PROCEDURES OR MINOR SURGERY OPERATIONS.



## Movements



EASY REACHABLE WITH ITS 530 MM  
MINIMUM HEIGHT.

ADJUSTABLE IN HEIGHT UP TO 830  
MM WITH 300 MM OF EXCURSION AND  
AUTO-LEVELLING SYSTEM.



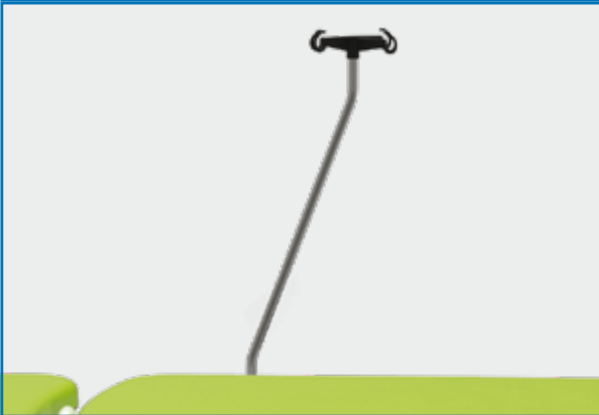
THE SECTIONS CAN BE ADJUSTED  
ACCORDING TO CLINICAL NEEDS.

THE LYING SURFACE CAN BE  
ADJUSTED THROUGH  
A DEDICATED HANDSET.



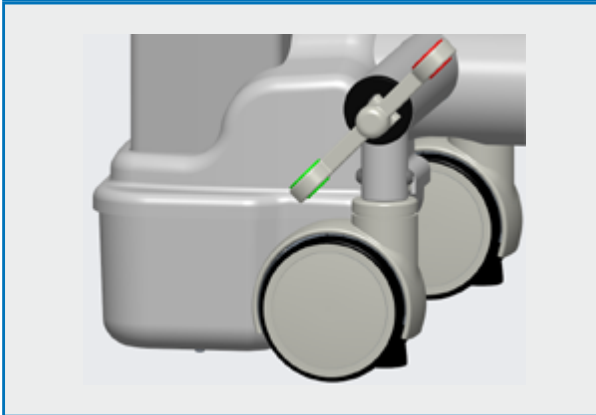
## Recommended accessories

## AC4/L



Adjustable IV pole in stainless steel with 2 or 4 hooks.

## AC5L/1



Swivable 150 mm twin wheels with integrated levelling foot and braking system activated by anteroposterior pedals.

## AC11



Paper-roll holder located on the backrest.

## AC17P/A



Rechargeable 4,5 A batteries with no.2 charger included.

## AC107



Motorized backrest.

## AC111



Backrest section with face hole.

## Recommended accessories



## AC137



Anatomical armrest in polyurethane with metal structure. They follow the movement of the backrest and are tiltable to facilitate patient's transfer from the device to another. External adjustment extremely useful during anesthetic procedures.

## AC138



Lying surface with removable section.

## AC139



Foot controls for height adjustment located on the floor. They can be moved around the device according to operator's needs.

## AC139/1



Foot controls for backrest adjustment located on the floor. They can be moved around the device according to operator's needs.

## AC139/2



Foot controls for trendelenburg and reverse trendelenburg located on the floor. They can be moved around the device according to operator's needs.



## Recommended accessories



### AC141



Foot controls for height adjustment located on the frame.

### AC141/1



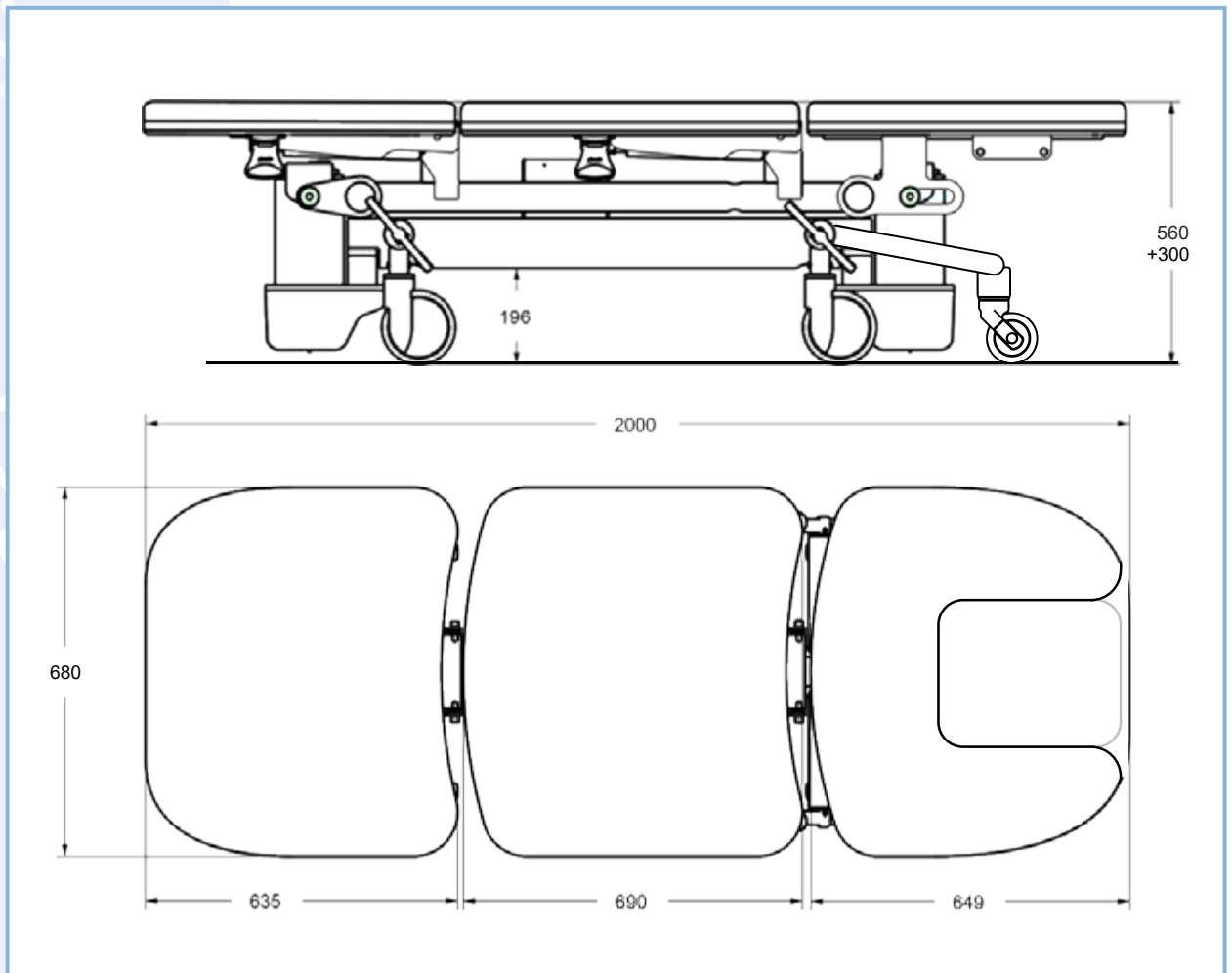
Foot controls for backrest adjustment located on the frame.

### AC141/2



Foot controls for trendelenburg and reverse trendelenburg located on the frame.

## Dimensions



### MAIN CORD



Type F - Schuko



Type L - 16A



Type I - Australia



Type B - Canada and USA



Type G - UK plug

## Technical sheet

GMDN Code	<b>34134</b>
ID Code	<b>GB0038.SP-3</b> Painted steel
Inteded use	Multifunctional couch
Manufacturer	GARDHEN BALANCE SRL
Spare parts availability	10 years
Conformity	Directive 93/42/CEE e s.m.i. annex II
Overall weight	80 kg
Wheels	Wheels Ø 150 mm with central brake and directional system activated through bilateral pedals
Controls	Handset with key
Power	Multitension 100-240 Vac 50-60 Hz
Main cord	Schuko or others upon request
Electric motors	Low voltage (24 V)
Max electrical input	4A
Insulation	IP44
Max load capacity	200 kg
Safety working load	235 kg

For certifications please refer to "Certifications and Quality system" section

Pictures contained in this brochure is for illustrative purpose only. The manufacturer reserves the right to modify the projects without notice. For accessories identification please refer to the accessory catalogue or commercial offer. When data are different please refer to commercial offer.

Dep. EN\_25 rev. 20/07/2022